

WHEN IT COMES  
TO RELIABILITY,  
WE'VE MADE  
QUITE A  
MARK.

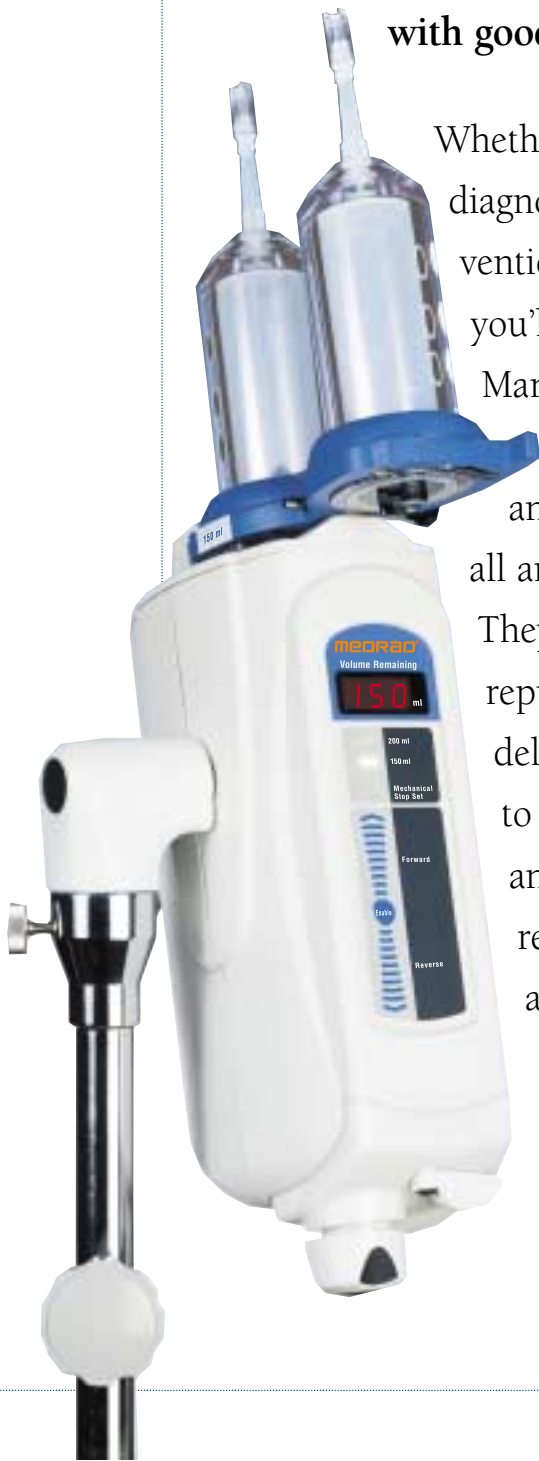


**Mark V ProVis™**,  
the latest generation of injection systems  
from Medrad®.

# The Mark V ProVis™ has all the benefits of our previous systems plus more.

Injection systems from Medrad  
are known for setting the standards  
in contrast enhancement, and  
with good reason.

Whether in traditional  
diagnostic or inter-  
ventional procedures,  
you'll find Medrad  
Mark Vs being used  
in cardiology  
and angiography  
all around the world.  
They've earned a  
reputation for  
delivering contrast  
to both pediatric  
and adult patients  
reliably, easily  
and safely.



Reliability you can trust...  
It starts with quality!

From materials to processes to people,  
quality is our focus, company-wide.

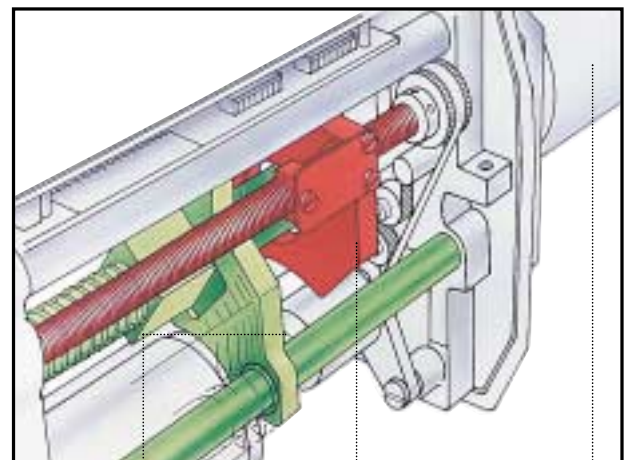
It's designed into our products. It's designed into the  
processes we use to make them. And it's designed  
into the ways our people sell, support and service  
our products.

- Over 99% average up-time
- Rapid response from factory-trained service engineers
- Modular design makes servicing even easier

Unsurpassed safety

Only Medrad gives you multiple levels  
of protection

- Programmed microprocessor helps protect against:
  - Over-volume • Over-flow • Over-pressure
- Exclusive mechanical stop:
  - Automatically sets and locks to physically limit injection to the selected volume
  - Unaffected by electrical interruption
  - Set position is verified by LEDs on the injector head



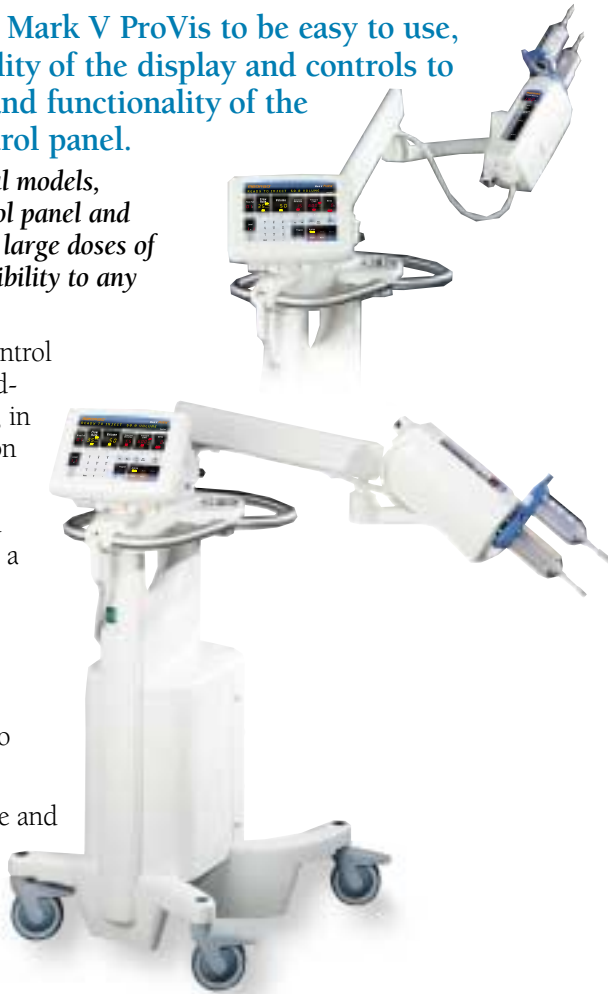
Plunger piston plate      Mechanical stop      Turret head

## We're marking a new era in ease of use.

We designed the Mark V ProVis to be easy to use, from the readability of the display and controls to the ergonomics and functionality of the injector and control panel.

And, now for pedestal models, the new swivel control panel and articulating arm add large doses of convenience and flexibility to any room environment.

- Large and bright control panel improves readability at a distance, in any lighting situation
- Syringe volume is constantly up-dated and is easily read at a glance
- Sequenced control panel guides setup
- Common protocols are stored quickly to save time
- Large, secure handle and oversize wheels allow for easy maneuvering in the tightest situation



Mark V ProVis is loaded with performance.

Two turrets for double flexibility available in three different configurations—

- 60 ml/150 ml
- 150 ml/150 ml
- 200 ml/200 ml

You can easily match the right amount of contrast with the procedure using Medrad syringes which provide easy visualization of fluid content.

The Mark V ProVis offers you a wide range of fast and slow loading speeds.

- Load as slow as you need, or as fast as seven seconds
- Speed control maximizes air management and loading efficiency

You'll also appreciate how convenient the Mark V ProVis is to operate.

- Speed up or slow down the syringe loading at a touch with variable piston speed control
- Up to four flow rates and volumes can be programmed in one injection
- Integrates easily with any imaging system for clear images with less contrast and less radiation exposure

Select from the greatest range of angiographic syringes in the following three sizes:



- 60 ml—the smallest angiographic syringe available—allows the tightest bolus possible, for precise low volume studies such as Coronary, Neurological, and Pediatric



- 150 ml syringe for high volume procedures such as Aortic, Hepatic Left Ventricular, and Peripherals



- 200 ml syringe for multiple studies



# Choose the configuration that's right for you.

## Rack Mount Systems



Counterpoise Mounted Configuration



Table Bracket Mounted Configuration



Pedestal Mounted Configuration

## Pedestal System

*The new swivel control panel and articulating arm for pedestal models*



Integrated Pedestal Configuration

# MEDRAD®

*The only source for Medrad Engineering, Medrad Quality, Medrad Service and Medrad Support.*

Medrad, Inc. Corporate Office  
One Medrad Drive  
Indianola, PA 15051-0780 U.S.A.  
Telephone: (412) 767-2400  
FAX: (412) 767-4128  
[www.medrad.com](http://www.medrad.com)

**Medrad, Inc. is ISO 9001/EN 46001 Certified**

**Medrad Europe B.V. is EN-ISO 9002/EN 46002 Certified**

Medrad reserves the right to modify the specifications and features described herein, or discontinue manufacture of the product at any time without prior notice or obligation. Please contact your authorized Medrad representative for the most current information.



Medrad is dedicated to continually improving the quality of our products and services such that our customers' satisfaction, loyalty, and respect are unsurpassed. It is our policy to clearly understand and agree upon the valid requirements of the work we perform for our customers, both internal and external, and to pursue 100% conformance to those requirements...on time, every time.

Medrad, Quality for Life, Q and design are federally registered trademarks and Mark V ProVis is a trademark of Medrad, Inc. U.S.A.